

maxquip

Oil & Gas Catalogue [2019]



www.maxquip.ca | 1.866.629.7847

Magnetel Stationary Bulk Storage Gauges

Magnetel™ liquid level gauges are designed for centerline mounting or top mounting on bulk-storage tanks, centerline mounting on bobtails or transports. Angle mounting is optional at extra cost. The materials used in construction are carefully selected for compatibility with the liquid to be gauged, so, you can expect the unit to provide many years of trouble-free service. Magnetel™ gauges are operated by liquid displacement of a float bulb attached to a counter-balanced float arm. The counterbalance has been adjusted so the float will be half-submerged in tank's liquid.

Magnetel Ordering Instructions

When ordering Magnetel gauges please specify application, LPG, NH3 or CO2 service and Tank diameter. For CO2 service applications please specify inches of tank insulation. Typically this will be either 4 or 6 inches. Magnetel Gauges are available for tank diameters from 90" through 180".

Part Number	Description
Stock Sizes	
ROC C6342-00011-108	Magnetel 108" Dia LPG/NH3 8" Dial
ROC C6342-00011-118	Magnetel 118" Dia LPG/NH3 8" Dial
ROC C6342-00011-129	Magnetel 129" Dia LPG/NH3 8" Dial
ROC C6342-00011-136	Magnetel 136" Dia LPG/NH3 8" Dial
ROC C6342-00011-140	Magnetel 140" Dia LPG/NH3 8" Dial
ROC C6342-00011-142	Magnetel 142" Dia LPG/NH3 8" Dial



C6342 Series Magnetel Storage Gauge with 8" Dial

Magnetel Rough Rider Transport Gauges

The Magnetel™ Rough Rider™ gauges are to be installed in the side or end of mobile tanks at the centerline. They are equipped with an exclusive spring controlled shock absorber on the float arm which substantially reduces the stress that quickly destroys conventional gauges. Angle mounting gauges are also available.

Part Number	Description
Stock Sizes	
ROC CM6339-00011-66	Rough Rider 66" Dia LPG/NH3 4" Dial
ROC CM6339-00011-72	Rough Rider 72" Dia LPG/NH3 4" Dial
ROC CM6339-00011-76	Rough Rider 76" Dia LPG/NH3 4" Dial
ROC CM6339-00011-79	Rough Rider 79" Dia LPG/NH3 4" Dial
ROC CM6339-00011-84	Rough Rider 84" Dia LPG/NH3 4" Dial
ROC CM6339-00011-90	Rough Rider 90" Dia LPG/NH3 4" Dial
ROC CM6339-00011-94	Rough Rider 94" Dia LPG/NH3 4" Dial
ROC CM6339-00011-96	Rough Rider 96" Dia LPG/NH3 4" Dial
ROC CM6339-00011-98	Rough Rider 98" Dia LPG/NH3 4" Dial



CM6339 Series Magnetel Rough Rider with 4" Dial

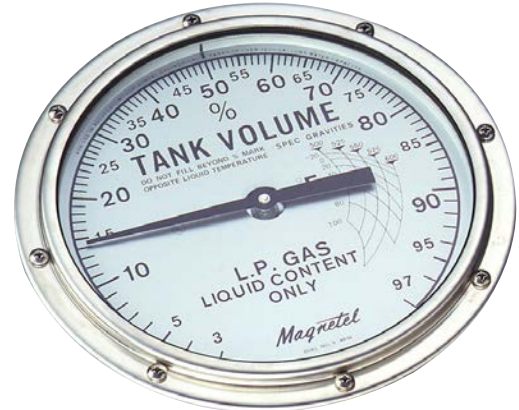
Don't see the model you are looking for?

Contact us! We carry a wide range of Rochester Gauges not listed in this catalogue.

Magnetel & Rough Rider Parts & Accessories

GAUGES & DIALS

Part Number	Description
4" Magnetel Dials	
ROC 5016S00477	Dial 4" Any Liquid 3-97%
ROC 5016S00445	Dial 4" LPG 5-95%
ROC 5016S00478	Dial 4" LPG 3-97%
ROC 5016S00479	Dial 4" NH3 3-97%
ROC 5137S01262	Dial 4" LPG & NH3 5-95%
8" Magnetel Dials	
ROC 5015S00480	Dial 8" Any Liquid 3-97%
ROC 5015S01403	Dial 8" LPG & NH3 3-97%
ROC 5015S00481	Dial 8" LPG 3-97%
ROC 5015S00482	Dial 8" NH3 3-97%
Dial Mounting Brackets	
ROC 0093S00001	Bracket for 4" Magnetel 2 Required
ROC 0093-00403	Bracket for 8" Magnetel 3 Required
Floats and Float Assemblies	
ROC 6020S00000	Float Bulb 316SS 2" Dia X 4-1/4 Long
ROC 6036S00000	Float Assy Magnetel Please Specify Tank Diameter
ROC 6371S00000	Float Assy Rough Rider Please Specify Tank Diameter
Screws, Nuts & Studs	
ROC 0040-00413	Screw for Dial SS 10-32
ROC 0044-00405	Nut for Dial 10-32
ROC 0044-00403	Hex Nut 1/2-13
ROC 0056-00404	Stud Bolt 1/2-13
Gaskets	
ROC 0015S00019	Gasket and Centralizer kit Magnetel/Rough Rider
ROC 0015-00010	Gasket for Crystal 8" Dial
ROC 0015-00011	Flange Gasket Buna-N
ROC 0015-00406	Flange Gasket Teflon
ROC 0015-00451	Gasket for Crystal 4" Dial
Crystals	
ROC 0003-00001	Crystal Clear Glass for 4" Dial
ROC 0003-00005	Crystal Clear Glass for 8" Dial
ROC 0003-00408	Crystal Tempered Glass for 4" Dial
ROC 0003-00022	Crystal Tempered Glass for 8" Dial
ROC 0003-00404	Crystal Lexan Poly for 4" Dial
ROC 0003-00433	Crystal Lexan Poly for 8" Dial
Adaptors	
ROC 0022-00029	Adaptor 2-1/2 MNPT X 1/2-13 Flange
ROC 0022-00030	Adaptor Weld Neck X 1/2-13 Flange
ROC 0022-00500	Adaptor 3" MNPT X 1/2-13 Flange
Bezels	
ROC 0039-00401	Bezel SS 8" Magnetel
ROC 0039-00402	Bezel SS 4" Rough Rider



Magnetel Dials 8" & 4"



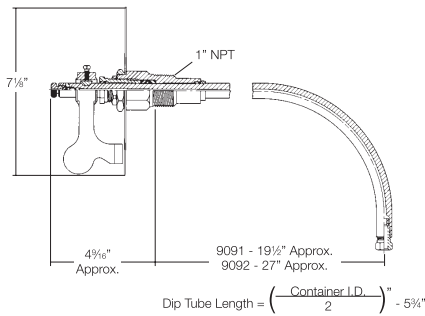
Magnetel Adaptors

1" Rotogages®

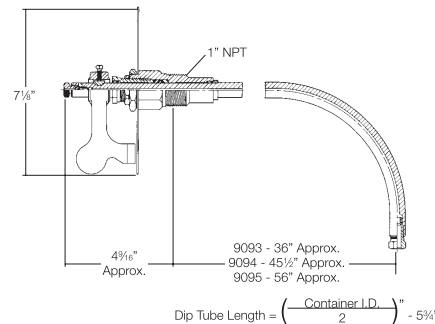
for Large Mobile and Stationary Containers

A9090 Series

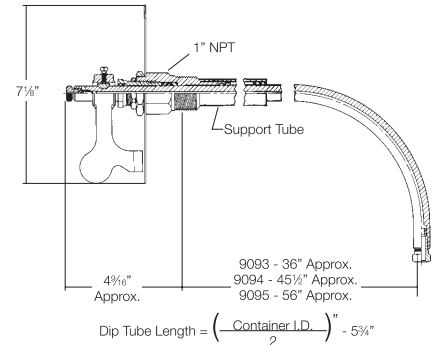
For Small Mobile or Stationary Containers
A9091R and A9092RM Series



For Large Mobile or Stationary Containers
A9093TS, A9094TS and A9095TS Series



For Large Stationary Containers
9093RS, 9094RS and 9095RS Series



Part Number		For Container Inside Diameter			
		Ellipsoidal Heads		Hemispherical Heads	
For Mobile or Stationary Containers	For Stationary Containers Only	Side Mounted	End Mounted	Side Mounted	End Mounted
REG A9091R	-	30" - 45"	30" - 75"	30" - 45"	30" - 45"
REG A9092R	-	46" - 61"	76" - 108"	46" - 61"	46" - 61"
REG A9093TS*	REG A9093RS	62" - 79"	109" - 147"	62" - 79"	62" - 79"
REG A9094TS*	REG A9094RS	80" - 99"	-	80" - 99"	80" - 99"
REG A9095TS*	REG A9095RS	100" - 147"	-	100" - 147"	100" - 147"

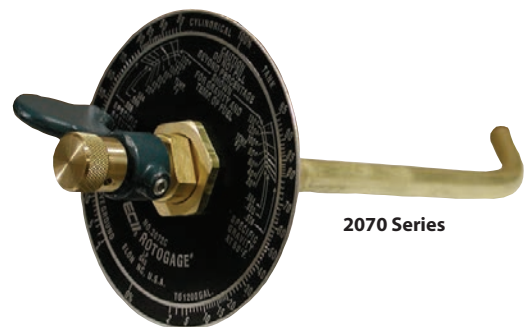
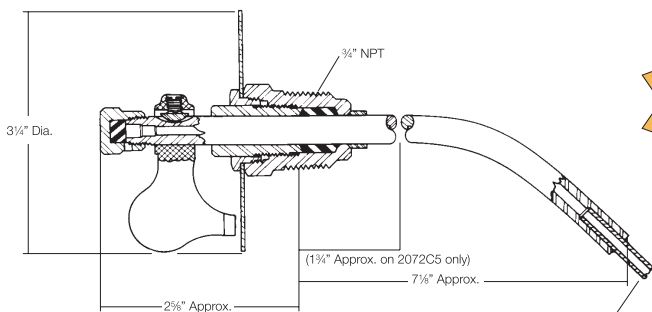
* Supported Design
NOTE: The dip tube must be cut to the required length (1/2" of container inside diameter minus 5 3/4").

3/4" Rotogages®

for Small Stationary and Mobile LP-Gas Containers

2070 Series

Rotogages® are designed to provide accurate determination of LP-Gas container contents. They may be end or side mounted in a standard 3/4" NPT coupling on stationary or mobile containers. To guarantee accurate measurement, they should not be used on stationary containers that exceed 60" I.D. or on mobile containers, subject to vibration, with an I.D. of more than 24".



NOTE: The dip tube must be cut to the required length (1/2 of container inside diameter minus 1/2"), when mounted on center line of tank.

When mounted in center line of tank:
Dip Tube Length = $\left(\frac{\text{Container I.D.}}{2}\right) - \frac{1}{2}$ "

Part Number		For Containers with Inside Diameter	Tank Connection	Valve Seat Orifice
Rotogage®	Dip Tube			
REG 2070C0	REG 2071-L25.7	Up to 40"	3/4 M. NPT	No. 54 Drill Size
	REG 2071-L39.7	Up to 60"		

GAUGES & DIALS